

TO REMOVE/REPLACE A CENTERBOARD

Haul and block boat high enough to remove centerboard in a horizontal position.

Find centerboard pin by locating small indentation where pivot pin is buried in keel or use a coat hanger in centerboard well to locate pin.

Dig or drill out bonding putty on each side. Check for a retaining screw on each side and remove if evident.

Prop up centerboard.

Drive out pivot pin.

Lower centerboard.

Replace centerboard pennant per sketch.

It may be necessary to cut wire in boat to push delrin rod out to attach.

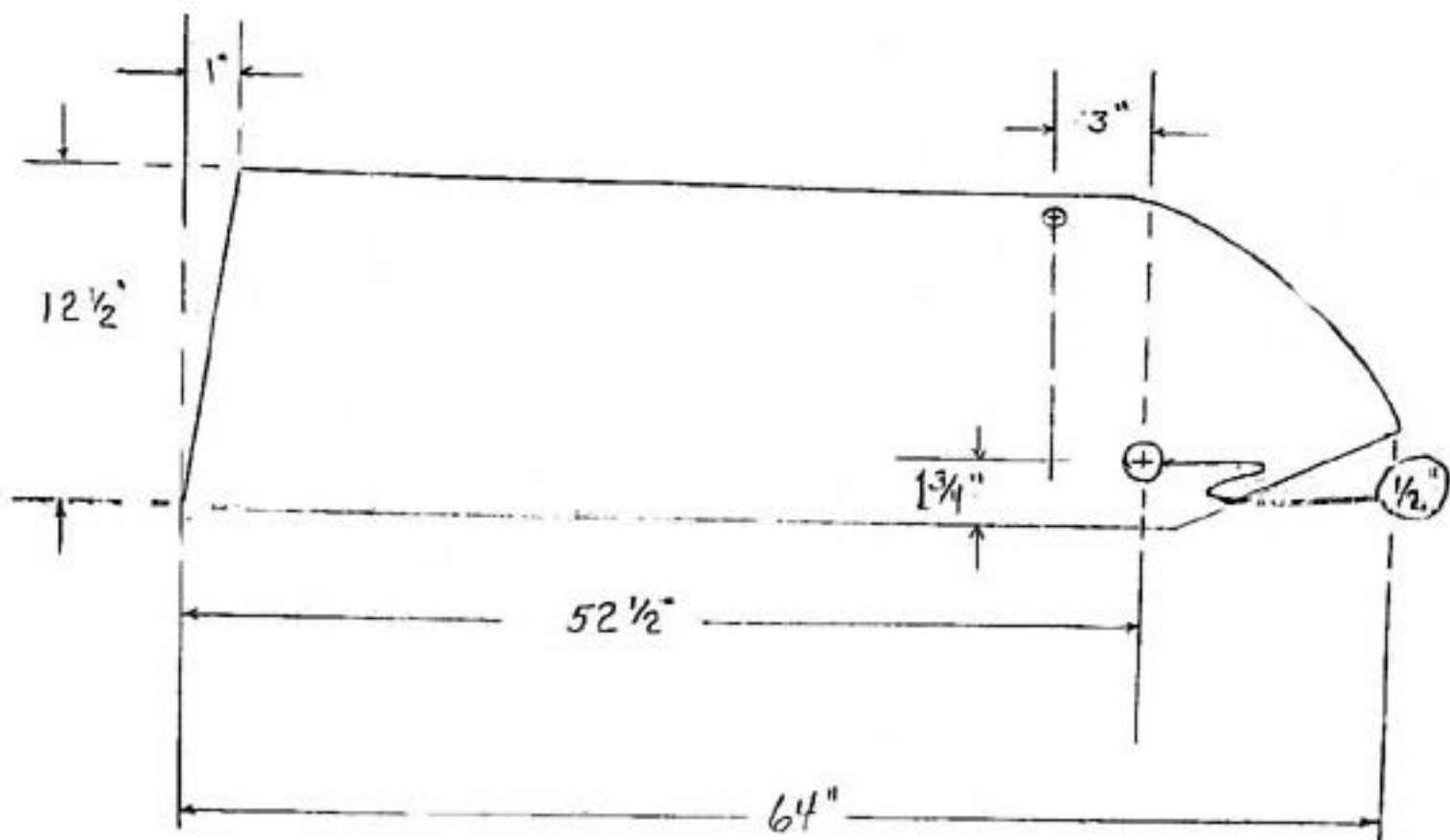
INSTALL CENTERBOARD IN WELL.

Refasten wire to interior end of delrin rod, if necessary.

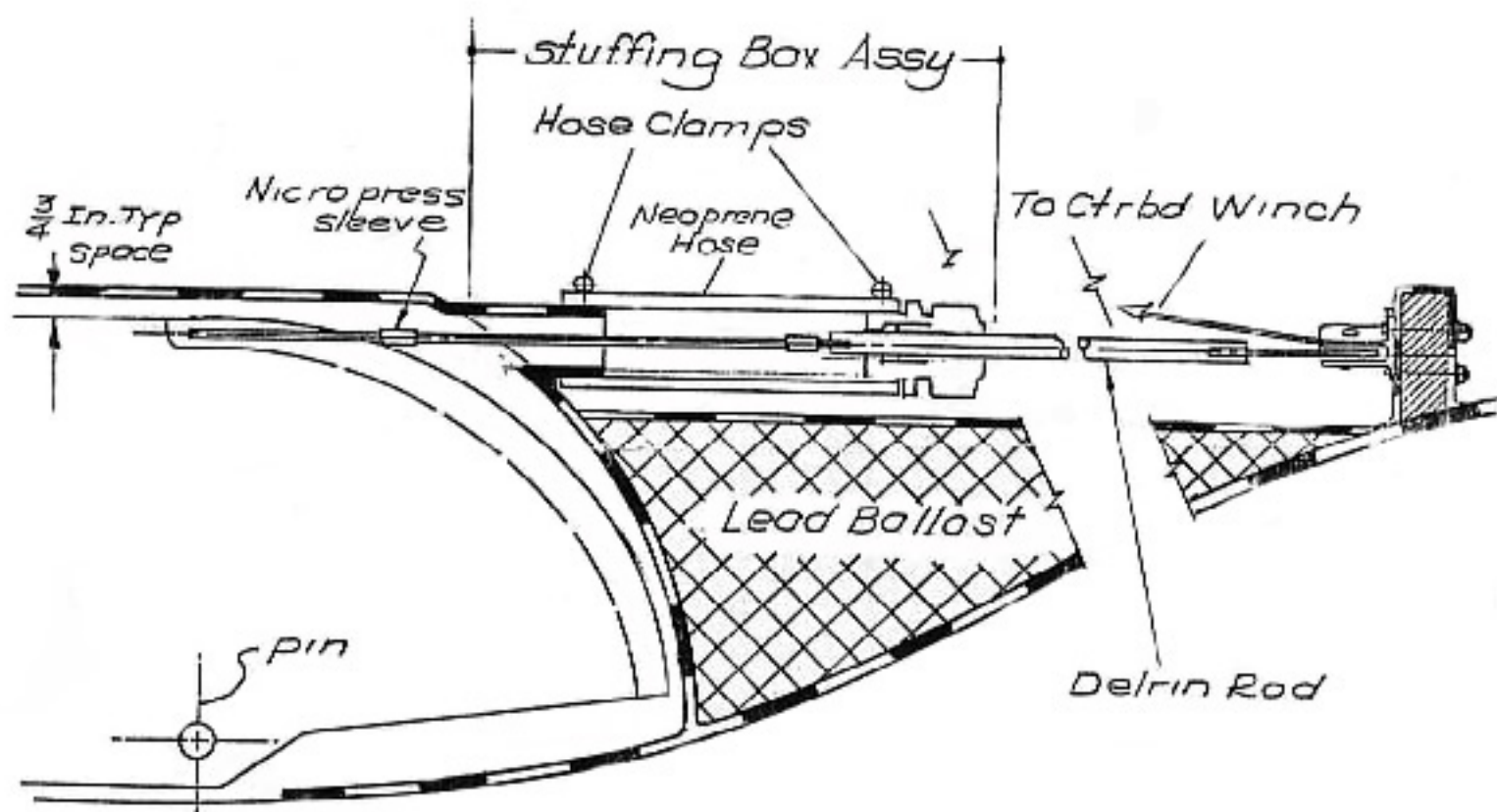
Replace pivot pin and retaining screws.

Fill over pin holes, seal and bottom paint.

IRWIN 25 1/2" 28 CENTERBOARD



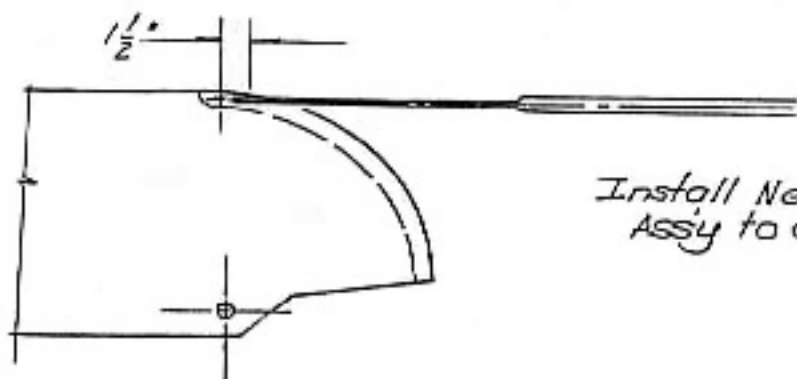
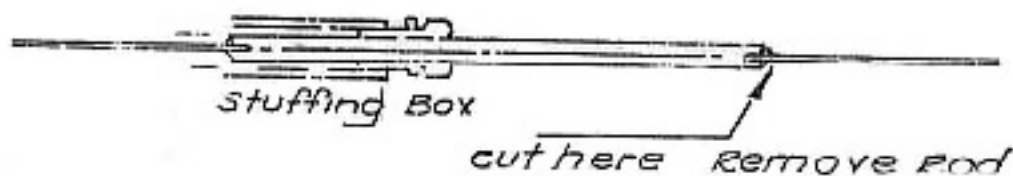
Installation of new Centerboard Pennant



To Remove centerboard

STEP 1.

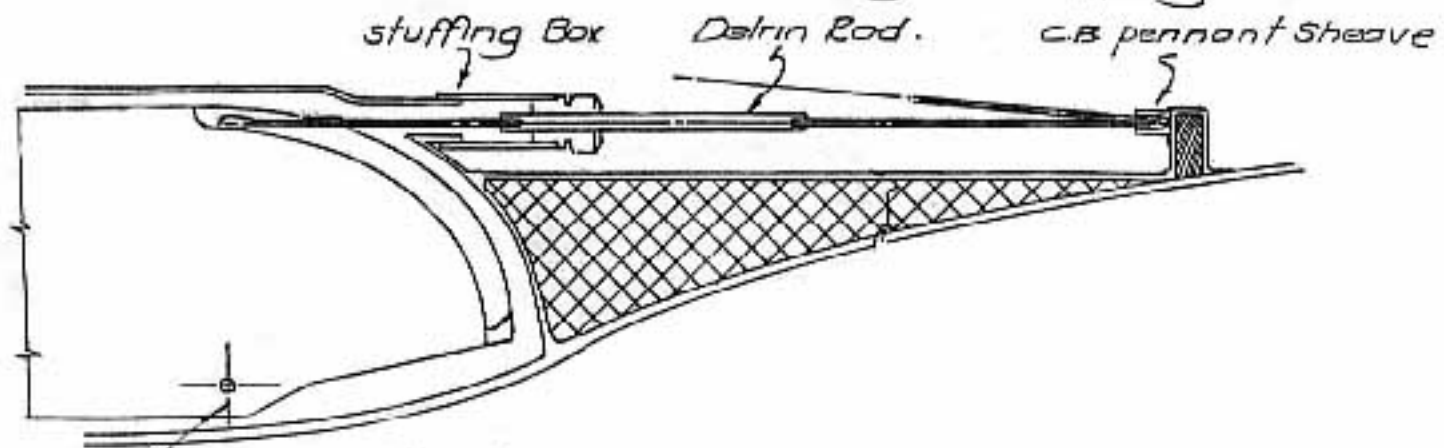
remove set screws; drive out pin, end lower board, cut wire at attachment point on Board. on earlier models with Brass Rod cut as shown below:



STEP 2.

Install New Rod & pennant Ass'y to Centerboard

STEP 3. Reinstall Centerbd in Trunk, pushing Delrin Rod through Stuffing Box.



C.B. pin with set screws on each side, RH *10x1 1/2"

STEP 4. Using Micro-Press Sleeve, Re-swage Existing C.B. Pennant to Delrin Rod.



Adjust Stop of C.B. Winch to permit end of Board to protrude two or three inches

